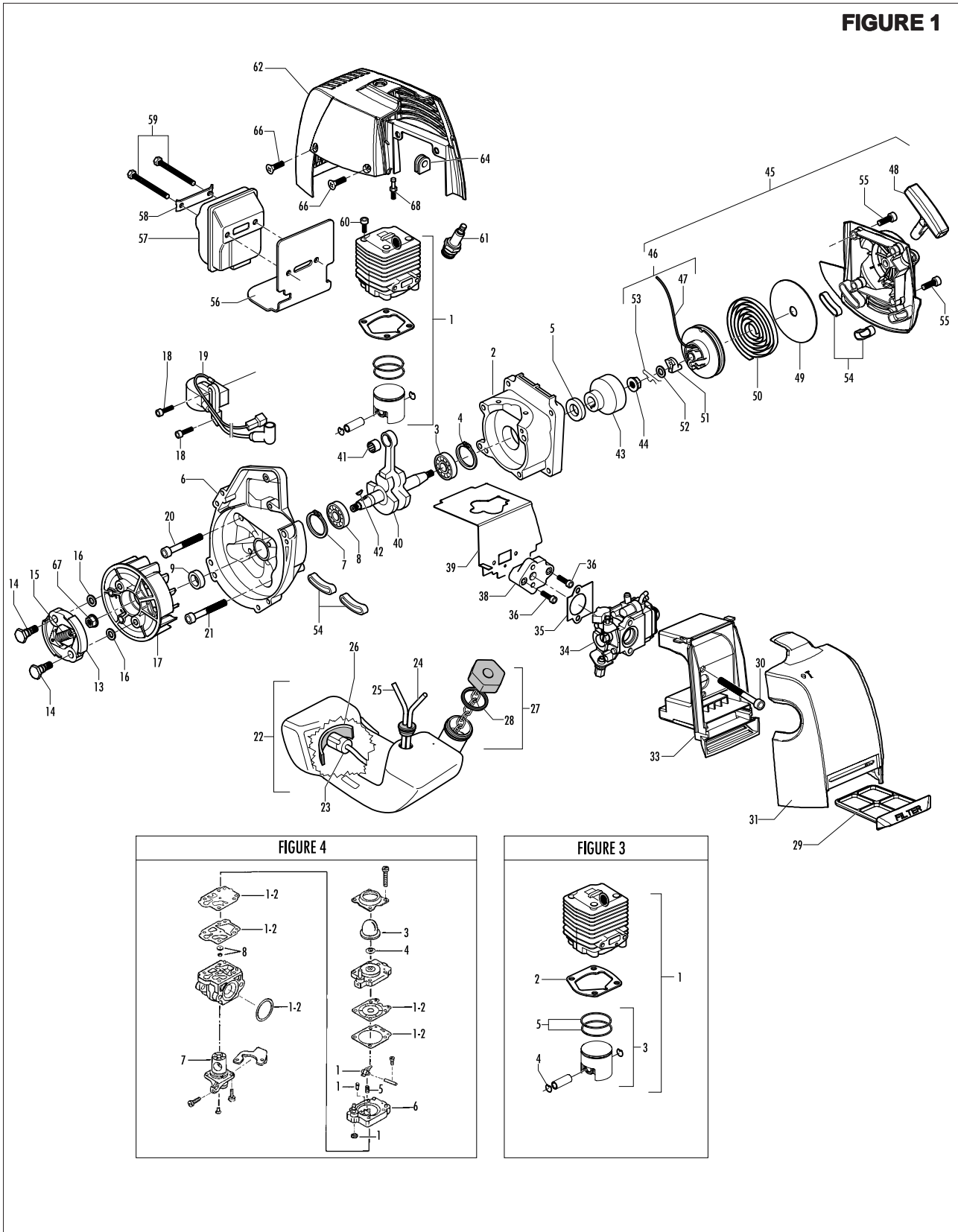


brand	PARTNER
-------	----------------

date	MAR/03	SHEET 1/4
------	--------	-----------

Model	Prefix
B 422X	01

Product number
953900396



brand	PARTNER
-------	---------

date	MAR/03	SHEET 2/4
------	--------	-----------

Model	Prefix
B 422X	01

Product number
953900396

FIGURE 1

pos	P/N McC	P/N ELX	Qty	DESCRIPTION
C 1	FIGURE 3			
2	247936	538247936	1	Carter kit (starter)
3	• 235900	538235900	1	ball bearing 6002 15/32/9
4	• 235899	538235899	1	seeger ring
C 5	• 228872	538228872	1	seal 13-32-5 (S7)
6	247935	538247935	1	Carter kit (flywheel)
7	• 235899	538235899	1	seeger ring
8	• 235900	538235900	1	ball bearing 6002 15/32/9
C 9	• 228872	538228872	1	seal 13-32-5 (S7)
B 13	248808	538248808	1	clutch assy
14	• 242369	538242369	2	clutch rod
C 15	• 241270	538241270	1	clutch spring elite
16	236956	538236956	2	washer
17	241240	538241240	1	flywheel
18	235806	538235806	2	screw M5 X 20 TCE
C 19	242782	538242782	1	ignition coil
20	235808	538235808	2	screw M5 X 50 TCE
21	235804	538235804	2	screw M5x30
C 22	241541	538241541	1	tank mix ass.
B 23	• 229809	538229809	1	hose-fuel mm245
B 24	• 229743	538229743	1	hose fuel mm150
C 25	• 235675	538235675	1	fueltank grommet
A 26	240452	538240452	1	pick up fuel
B 27	242484	538242484	1	fuel cap assy
A 28	• 236564	538236564	1	cap gasket
B 29	242581	538242581	1	air filter
30	235808	538235808	2	screw M5 X 50 TCE
31	242580	538242580	1	air filter cover
33	249136	538249136	1	box air filter
C 34	FIGURE 4			
A 35	241281	538241281	1	gasket
36	235806	538235806	2	screw M5 X 20 TCE
C 38	241481	538241481	1	carb. Spacer
C 39	241428	538241428	1	gasket
40	241267	538241267	1	crankshaft
C 41	227329	538227329	1	bearing-needle
C 42	227631	538227631	1	key
43	241223	538241223	1	starter holder
44	235218	538235218	1	nut M8
C 45	242623	538242623	1	starter assy
B 46	• 227194	538227194	1	pulley/rope
A 47	•• 227703	538227703	1	rope
48	• 240884	538240884	1	starter-handle

pos	P/N McC	P/N ELX	Qty	DESCRIPTION
49	• 227467	538227467	1	shield spring
B 50	• 227300	538227300	1	spring rewind
B 51	• 240492	538240492	1	starter pawl
B 52	• 227470	538227470	1	spacer-drum
53	• 240485	538240485	1	retaining spring
54	242632	538242632	4	grommet fuel tank elite
55	236527	538236527	4	screw M6x16
C 56	242645	538242645	1	gasket
C 57	241432	538241432	1	muffler assy elite
58	• 227236	538227236	1	clamp
59	• 227274	538227274	2	screw M5X60
60	227565	538227565	4	screw M5X25
A 61	92879	538092879	1	spark RDJ8J
62	242583	538242583	1	engine cover
64	236322	538236322	1	grommet
66	240688	538240688	2	screw + washer M5X14
67	235218	538235218	1	nut
68	94273	538094273	3	valve-comp release

FIGURE 3 42cc

pos	P/N McC	P/N ELX	Qty	DESCRIPTION
C 1	249164	538249164	1	cylind/pist Kit 42 cc
B 2	• 242366	538242366	1	gasket
B 3	• 248807	538248807	1	piston kit 42 cc
4	•• 229544	538229544	2	retaining ring
B 5	•• 240085	538240085	1	piston ring

FIGURE 4 WALBRO WYJ 208

pos	P/N McC	P/N ELX	Qty	DESCRIPTION
C -	241476	538241476	1	wyj 208 carb.
B 1	• 247955	538247955	1	repair kit K20 WYJ
A 2	•• 247956	538247956	1	gasket kit D20 WYJ
C 3	• 225834	538225834	1	primer
C 4	• 247957	538247957	1	valve
C 5	• 247958	538247958	1	spring
C 6	• 247962	538247962	1	pumping body
C 7	• 247961	538247961	1	valve
C 8	• 247960	538247960	1	jet

A= ALTA ROTAZIONE
B=MEDIA ROTAZIONE
C=BASSA ROTAZIONE

A=HIGH MOVING
B=MEDIUM MOVING
C=SLOW MOVING

A=HAUTE DEMANDE
B=MOYENNE DEMANDE
C=BASSE DEMANDE

A=GROSSE NACHFRAGE
B=MITTELMÄßIGE
C=WENIGE NACHFRAGE

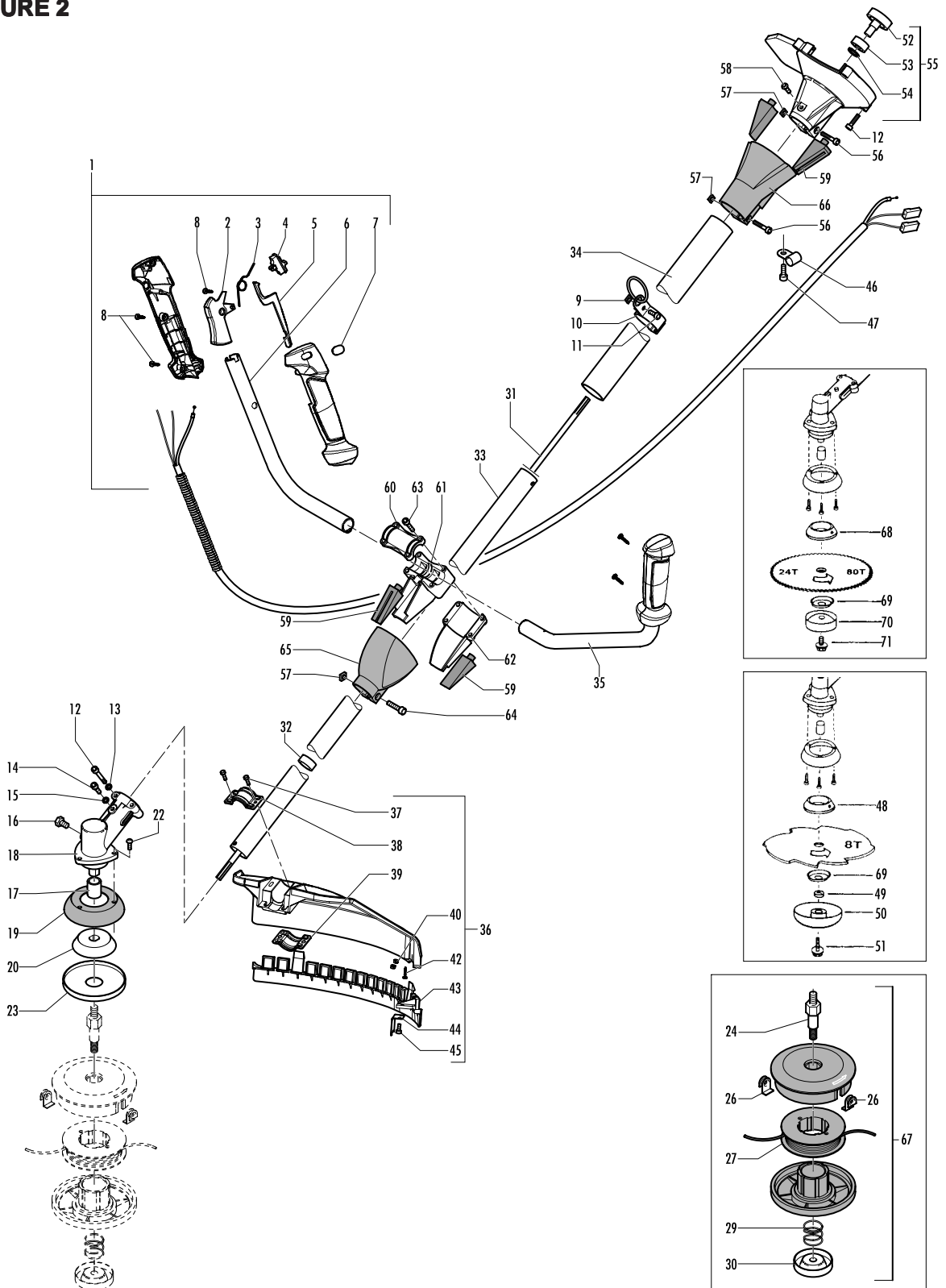
brand	PARTNER
-------	----------------

date	MAR/03	SHEET 3/4
------	--------	-----------

Model	Prefix
B 422X	01

Product number
953900396

FIGURE 2



brand	PARTNER
-------	----------------

date	MAR/03	SHEET 4/4
------	--------	-----------

Model	Prefix
B 422X	01

Product number
953900396

FIGURE 2

pos	P/N McC	P/N ELX	Qty	DESCRIPTION
1	242638	538242638	1	right handle ass'y
2	● 242537	538242537	1	gas lever trigger
3	● 242540	538242540	1	trigger spring
4	● 242439	538242439	1	switch
5	● 242538	538242538	1	trigger safety
6	● 242605	538242605	2	handle-bar r.
7	● 242648	538242648	2	rubber cap
8	● 240862	538240862	3	screw 4x18
9	236642	538236642	1	nut
10	228011	538228011	1	harness ring ass'y
11	235911	538235911	1	screw m6x12
12	235804	538235804	2	screw m5x30
13	236529	538236529	2	grower d.5
14	236381	538236381	1	screw m5x10
15	236529	538236529	1	grower d.5
16	240151	538240151	1	screw M 8x10
17	247272	538247272	1	spacer
18	240824	538240824	1	gear box ass'y
19	240767	538240767	1	flange guard
20	242410	538242410	1	flange
22	240688	538240688	3	screw/washer
23	241155	538241155	1	string head shield
24	240850	538240850	1	M10 Rod
26	241154	538241154	2	eyelet
27	538249157	538249157	1	D3 spool+line
29	240852	538240852	1	spring
30	241153	538241153	1	S. Head nut
31	229829	538229829	1	drive shaft
32	236383	538236383	5	bushing ass'y
33	240830	538240830	1	30x1455 shaft
34	242726	538242726	1	housing outer
35	242606	538242606	1	handle-bar r.
36	248960	538248960	1	d. 30 safety guard
37	● 229077	538229077	2	M5X18 screw
38	● 242636	538242636	1	clamp upper
39	● 242752	538242752	1	clamp lower
40	● 229208	538229208	2	M5 nut
42	● 240862	538240862	1	screw 4x18
43	● 242630	538242630	1	string head guard
44	● 241973	538241973	1	cutter

pos	P/N McC	P/N ELX	Qty	DESCRIPTION
45	235802	538235802	1	M5X14 screw
46	241480	538241480	1	clamp
47	240468	538240468	1	screw
48	242410	538242410	1	flange
49	240807	538240807	1	spacer
50	240809	538240809	1	hub ass'y
51	240806	538240806	1	rod
52	227284	538227284	1	clutch drum
53	235918	538235918	1	bearing
54	236378	538236378	1	seeger
55	242252	538242252	1	mount ass'y
56	235910	538235910	2	screw m6x25
57	236642	538236642	2	nut
58	240688	538240688	1	screw/washer
59	242196	538242196	4	A / V mount
60	242200	538242200	1	clamp handle
61	242198	538242198	1	handle support
62	242199	538242199	1	shaft clamp
63	235806	538235806	4	screw M 5x20
64	235910	538235910	1	screw M 6x25
65	242202	538242202	1	clamp cover
66	242197	538242197	1	A / V mount cover
67	538249158	538249158	1	D 3 string head ass'y
68	240936	538240936	1	flange
69	229834	538229834	1	flange
70	236596	538236596	1	hub
71	229842	538229842	1	nut

A= ALTA ROTAZIONE
B=MEDIA ROTAZIONE
C=BASSA ROTAZIONE

A=HIGH MOVING
B=MEDIUM MOVING
C=SLOW MOVING

A=HAUTE DEMANDE
B=MOYENNE DEMANDE
C=BASSE DEMANDE

A=GROSSE NACHFRAGE
B=MITTELMAEßIGE
C=WENIGE NACHFRAGE